



Liberty™ II Series

SUPER-LED® LIGHTBAR

WE CAN X | **ISOLO** | **DUO+** | **TRIO**

Redesigned and reinvented for exactly what your fleet needs, the Liberty II builds on the Liberty's reputation for excellent reliability and performance.



FEATURES

- WeCanX® models available
- SAE Class 1 Certified
- Advanced Thermal Design improves LED performance during extended operation
- Aluminum top repels hail and protects against other environmental damages
- One-piece uni-dome construction with a single sealing point assures lightbar integrity in all weather conditions
- Hard-coated lenses resist environmental damage from sand, sun, salt, and road chemicals
- Center dividers with liquid injection molded seals protect internal components from water intrusion
- Extruded aluminum platform
- Available with standard or low-profile mounting feet
- Proclera® Silicone Optics (available in take-down lights)
- Plug & Play into Whelen WeCan® products
- Available with Clear, Smoked, or Color lens
- Optional photocell automatically dims the lightbar at night and still meets SAE Class 1 requirements in low-power mode
- WeCanX models have a 10-year warranty, Low Current models have a 5-year warranty, and WeCan models have a 2-year warranty on their respective I/O boards. All lighthoods are covered by a 10-year warranty.
- WeCanX Control Point purchased separately when not used with CenCom Core®



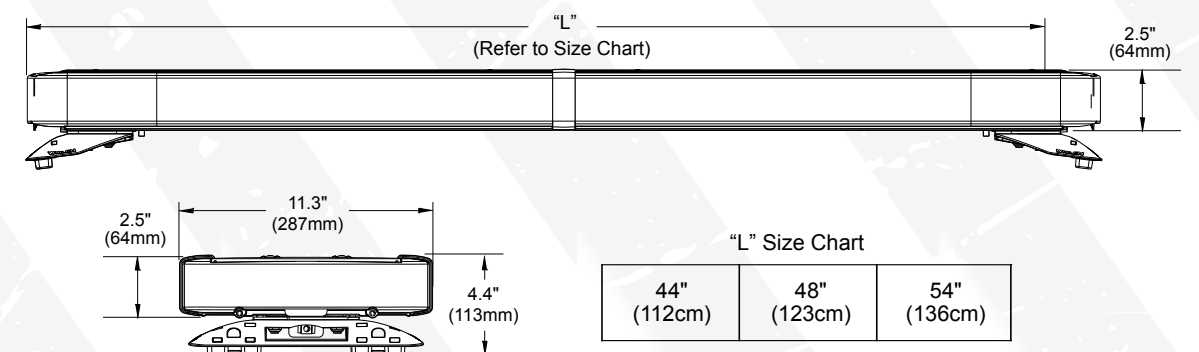


44"	48"	54"	Low Current Models
IX4****	IX8****	IX2****	SOLO™ IX Series, Four Single-Color Corner Modules. For use with Single-Color Inboard Lighthouse Options, Amber, Blue, Red or White
-	IG8****	IG2****	SOLO IG Series, Four Single-Color Corner Modules with Center Section for 795H, Strobe, or Center LED Warning. For use with Single-Color Inboard Lighthouse Options, Amber, Blue, Red or White
44"	48"	54"	WeCan® Models
IW4****	IW8****	IW2****	SOLO IW Series, Four Single-Color Corner Modules, with Independent Control of each Lighthouse. Photocell Included, for use with Single-Color Inboard Lighthouse Options Only, Except for a DUO+™ Rear Traffic Advisor™, Single-Color, Amber, Blue, Red or White
-	IH8****	IH2****	SOLO IW Series, Four Single-Color Corner Modules, with Center Section for 795H, Strobe, or Center LED Warning and Independent Control of each Lighthouse. Photocell Included, for use with Single-Color Inboard Lighthouse Options Only, Except for a DUO+ Rear Traffic Advisor, Single-Color, Amber, Blue, Red or White
IB4****	IB8****	IB2****	DUO+ IB Series Four High-Intensity Single-Color Corner Modules, with Independent Color Control of each Lighthouse, Amber, Blue, Red or White
IB4####	IB8####	IB2####	DUO+ IB Series Four High-Intensity DUO+ Color Corner Modules, with Independent Color Control of each Lighthouse, Amber, Blue, Red and/or White
-	IJ8****	IJ2****	DUO+ IJ Series Four High-Intensity Single-Color Corner Modules, with Center Section for 795H, Strobe, or Center LED Warning and Independent Control of each Lighthouse, Amber, Blue, Red and/or White
-	IJ8####	IJ2####	DUO+ IJ Series Four High-Intensity DUO+ Color Corner Modules, with Center Section for 795H, Strobe, or Center LED Warning and Independent Control of each Lighthouse, Amber, Blue, Red and/or White
I341	I381	I321	TRIO™ Series Super-LED® Lightbars, TRIO1, Red/Blue with White Illumination
I342	I382	I322	TRIO Series Super-LED Lightbars, TRIO2, Red/Blue with White Illumination Front and Rear Corners, Red/Amber/White Driver Rear Inboard and Blue/Amber/White Passenger Inboard
I343	I383	I323	TRIO Series Super-LED Lightbars, TRIO3, Red/Blue with Green Command Corners and White Illumination Front and Rear Inboards
I344	I384	I324	TRIO Series Super-LED Lightbars, TRIO4, Red/Blue with Green Command Corners and White Illumination Front Inboards and Red/Amber/White Driver Rear Inboard and Blue/Amber/White Passenger Inboard
I345	I385	I325	TRIO Series Super-LED Lightbars, TRIO5, Red/Blue with White Illumination to the Front and Rear Corners and Red/Blue/Amber Rear Inboards
I346	I386	I326	TRIO Series Super-LED Lightbars, TRIO6, Red/Blue with Green Command Corners and White Illumination Front Inboards and Red/Blue/Amber Rear Inboards

44"	48"	54"	WeCanX® Models
BW4****	BW8****	BW2****	SOLO™ BW Series, Four Single-Color Corner Modules, with Independent Control of each Lighthouse. Photocell Included, for use with Single-Color Inboard Lighthouse Options Only, Except for a DUO+™ Rear Traffic Advisor™, Single-Color, Amber, Blue, Red or White
-	BH8****	BH2****	SOLO BH Series, Four Single-Color Corner Modules, with Center Section for 795H, Strobe, or Center LED Warning and Independent Control of each Lighthouse. Photocell Included, for use with Single-Color Inboard Lighthouse Options Only, Except for a DUO+ Rear Traffic Advisor, Single-Color, Amber, Blue, Red or White
BB4****	BB8****	BB2****	DUO+ BB Series, Four High-Intensity Single-Color Corner Modules, with Independent Color Control of each Lighthouse, Amber, Blue, Red or White
BB4####	BB8####	BB2####	DUO+ BB Series, Four High-Intensity DUO+ Color Corner Modules, with Independent Color Control of each Lighthouse, Amber, Blue, Red or White
-	BJ8****	BJ2****	DUO+ BJ Series Four High-Intensity Single-Color Corner Modules, with Center Section for 795H, Strobe, or Center LED Warning and Independent Control of each Lighthouse, Amber, Blue, Red and/or White
-	BJ8####	BJ2####	DUO+ BJ Series Four High-Intensity DUO+ Color Corner Modules, with Center Section for 795H, Strobe, or Center LED Warning and Independent Control of each Lighthouse, Amber, Blue, Red and/or White
B34++++	B38++++	B32++++	TRIO™ Series, Includes Four TRIO Corner Modules, with Independent Color Control of each Lighthouse
-	BH38++++	BH32++++	TRIO Series, Includes Four TRIO Corner Modules, with Center Section for 795H, Strobe or Center LED Warning, and Independent Color Control of each Lighthouse



Replace * symbol in model number with letter indicating Color desired: A = Amber, B = Blue, C = White, R = Red
 Replace # symbol in model number with letter indicating Color combination desired: D = Red/White, E = Blue/White, F = Amber/White, J = Red/Blue, K = Red/Amber, M = Blue/Amber
 Replace ± symbol in model number with numeral indicating TRIO Color desired: 1 = Red/Blue/White, 2 = Red/Blue/Amber, 3 = Red/White/Amber, 4 = Blue/White/Amber, 5 = Red/Blue/Green, 6 = Red/White/Green, 7 = Blue/White/Green



WHELEN
MANUFACTURED IN AMERICA

WARNING: This product may contain chemicals known to the State of California to cause cancer and birth defects or other reproductive harm. For more information, visit whelen.com/regulatory.

WARNING: This product may contain chemicals known to the State of California to cause cancer and birth defects or other reproductive harm. For more information, visit whelen.com/regulatory.

WHELEN
MANUFACTURED IN AMERICA





OPTIONS


- Silicone take-downs available in 3 Long Super-LED® modules
- Traditional TIR™ take-downs available in 3 Short Super-LED modules or 12 Long Super-LED modules
- Alley lights available in 3 LED vertical modules
- Rear single-color or DUO+™ Traffic Advisor™
- Photocell automatically dims the lightbar at night while still meeting SAE Class 1 requirements
- Color filters available for full customization
- Go undercover with SAE Class 1 Certified Smoked lenses and dividers
- Center section models available in 48" and 54" models
- SOLO™, DUO™, and TRIO™ models of WeCanX® Liberty™ II lightbars can be ordered with the V2V antenna already embedded inside, eliminating the need for installing and wiring a separate module
- Advanced Placement Take-Down™ with SmartFocus Technology™ programmable narrow spot and flood beams
- Colored tops (Blue, Red, or Black) available in 48" and 54" models

CENTER OPTIONS

- Color domes for center and end sections with optional alley window
- SOLO or DUO+ double reflector lighthouse for rear center mount
- Miovision LED emitter available with or without take-down lights
- 4 short take-down lights or combination of 2 short take-down lights and 2 short warning light modules
- Smoked center domes available

ITL3	Two Long 3 Super-LED Take-Down Lights with Proclera® Silicone Optics
ITS3	Two Short 3 Super-LED Take-Down Lights
ITL12	Two Long 12 Super-LED Take-Down Lights
IA3	Two 3 Super-LED Alley Lights with 15° Horizontal Adjustment
795H	Miovision Self-Contained Opticom™ IR LED Emitter, Factory Installed Only
IJ795H	Installation (Pre-Wired) of 795H in a Liberty II BH, IG or IH Series Lightbar Only, Center Mount Option Only, No Charge when Purchased with 795H
IJ795HT	Installation (Pre-Wired) of 795H in a Liberty II BH, IG or IH Series Lightbar Only, Center Mount Option Only, No Charge when Purchased with 795H
IJ500S	Strobe for Liberty II BH, IG or IH Series Lightbar Only, Center Mount Option Only
IJ500ST	Two Super-LED Flashing Take-Down Lights and a Strobe for Liberty II BH, IG or IH Series Lightbar Only, Center Mount Option Only
IB4ENDX	Smoked End Dome, for 44" BB and IB Series Only, When Purchased with a Lightbar, Add Each
IB8ENDX	Smoked End Dome for 48" or 54" BB and IB Series Only, When Purchased with a Lightbar, Add Each
IBCNTX	Smoked Center Dome for 54" BB and IB Series Only, When Purchased with a Lightbar, Add
IBDIVIDX	Smoked Divider for BB, BJ, IB and IJ Series Only, When Purchased with a Lightbar, Add Each
CCP	Core™ Control Point for use with WeCanX® Devices when NOT using CenCom Core®
LT8END*	Color Aluminum Top, End, for 48" and 54" Liberty II Lightbar
LT2END*	Color Aluminum Top, End, for 54" Liberty II Lightbar with Center Section
LT8SEND*	Color Aluminum Top, End, for 48" Liberty II Lightbar with Center Section
LT8CNT*	Color Aluminum Top, Center, for 48" or 54" Liberty II Center Option Lightbar
LT2CNT*	Color Aluminum Top, Center, for 54" Liberty II Lightbar
BWX8END	Black Aluminum Top, End, for 48" and 54" Liberty II Lightbar with Smoked Lens
BWX2END	Black Aluminum Top, End, for 54" Liberty II Lightbar with Center Section with Smoked Lens
BW8SEND	Black Aluminum Top, End, for 48" Liberty II Lightbar with Center Section with Smoked Lens

* Replace symbol in model with letter indicating desired color: B = Blue, R = Red, X = Black

 **WARNING:** This product may contain chemicals known to the State of California to cause cancer and birth defects or other reproductive harm. For more information, visit whelen.com/regulatory.

